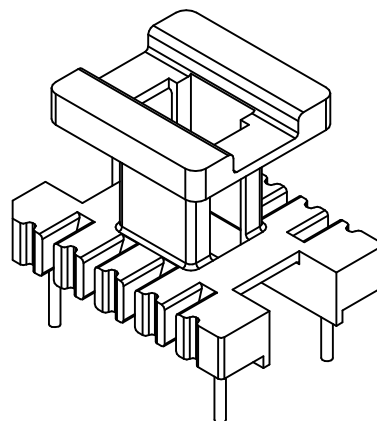


SECTION A-A



REV	REVISION RECORD	DATE	REV	REVISION RECORD	DATE
A			C		
B			D		

NAME	UUI17.5	MATERIAL	PHENOLIC	SCALE	ANGLE	$\pm 1^\circ$
DRAWING NO.	FWB1750-U	PIN MATERIAL	CP WIRE	UNIT	m/m	REV
TOLERANCE OF PIN PITCH	$\pm 0.20$		<b>HAINING FERRIWO ELECTRONICS CO.,LTD.</b>			
PIN TENSION LOAD	kg MN	UL REC: 94V-0	TEL: +86-573-87088701 FAX: +86-573-87081130			
TOLERANCE: $0 < L \leq 4$	$\pm 0.2$	$4 < L \leq 16$	$\pm 0.3$	$16 < L \leq 63$	$\pm 0.4$	Web: www.ferriwo.com Email: sales@ferriwo.com